

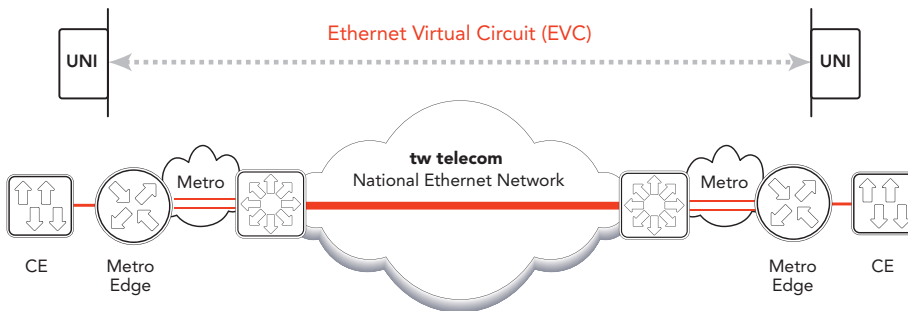
E-Line: Ethernet Line



E-Line is the next generation of Ethernet WAN solutions. **tw telecom's** E-Line service is a fully managed, platform-agnostic end-to-end Ethernet solution including premise equipment, metro and long haul connectivity.* E-Line gives you the security and simplicity of private lines without expensive equipment and inconvenient bandwidth limitations. By using Metro Ethernet Forum (MEF) standards to deliver point-to-point and point-to-multipoint solutions, E-Line offers the plug and play simplicity of Ethernet, plus the kind of scalability, flexibility and efficiency businesses need for a competitive edge. Whether enterprise software, data replication for business continuity, or cloud computing, E-Line enables your most critical applications across all of your locations.

*E-Line not available in all **tw telecom** markets.

Point-to-Point E-Line



Single Ethernet Virtual Circuit (EVC) delivers bandwidth between two User Network Interfaces (UNI)

- Easily scales from 100 Mbps to 10 Gbps
- 99.999% protected uptime SLA or 99.99% unprotected uptime SLA

Business Benefits

Familiarity:

Ethernet is a technology your staff already knows and understands

Scalability:

From 2Mb to 10 Gig, easy to add additional sites

CPE Flexibility:

Simple Ethernet hand offs that work with your existing equipment

Reliability:

Protected E-Line service is backed by a 99.999% uptime SLA. The network is proactively monitored 24x7 and redundant power is standard for edge equipment.

Control and Visibility:

View bandwidth utilization and other important information about your service via **tw telecom's** powerful on-line portal.

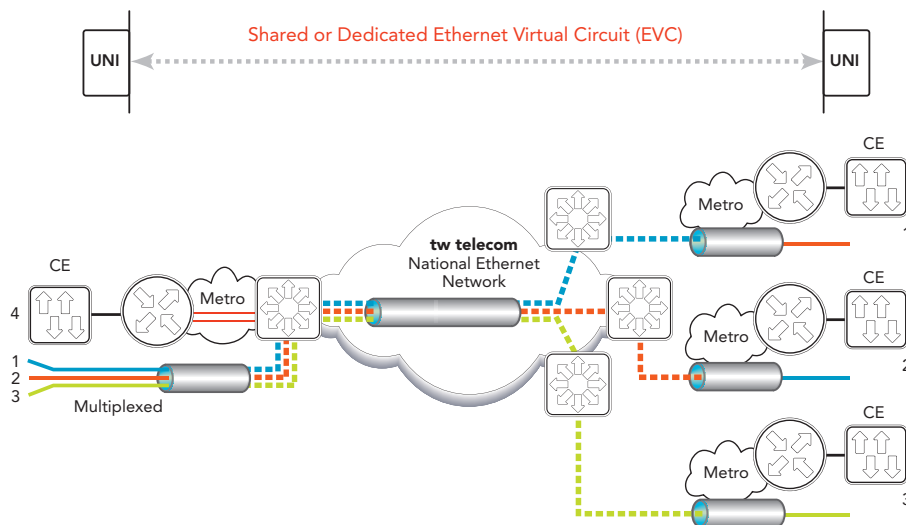
Cost Effective:

Lower per megabit bandwidth cost compared to legacy services.

Customer Service:

All **tw telecom** services are backed by our world class customer service and passionate people that listen, collaborate and get things done.

Point-to-MultiPoint E-Line



Virtual Local Area Networks (VLAN) direct traffic across multiple EVCs to the appropriate location

- Bandwidth can be shared or dedicated
- Host location UNI can be oversubscribed (up to 4:1) in a shared configuration
- Easily scales from 2 Mbps to 10 Gbps
- 99.999% protected uptime SLA or 99.99% unprotected uptime SLA. Shared EVCs are always protected



tw telecom's E-Line services are Metro Ethernet Forum (MEF) certified.

About tw telecom

tw telecom delivers the most advanced telecommunications solutions on the market to a wide spectrum of business and organizations across the United States. Since 1993, we have built a legacy of success through exceptional customer care, remarkable product and powerful networks. These strengths enable us to deliver scalable solutions that help customers improve their business metrics. For more information please visit www.twtelecom.com.