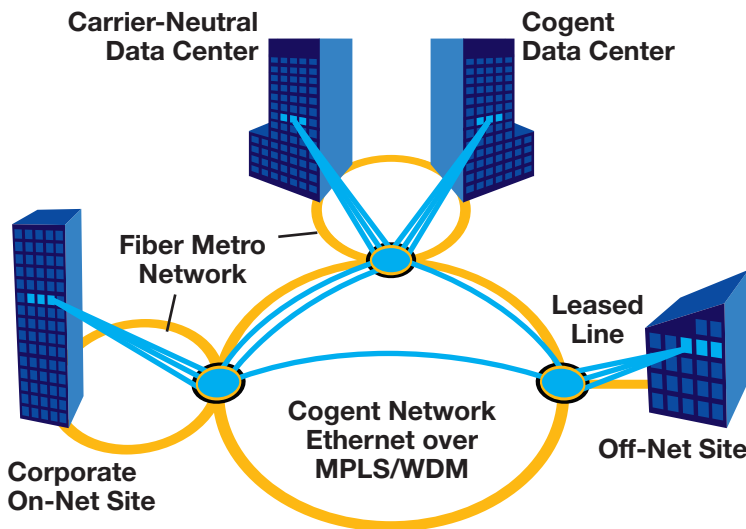


Build Your Own Affordable, Customized and Highly Reliable WAN or Data Storage Solution

Layer 2 Point-to-Point Service



Getting your data from Point A to Point B quickly, safely and cost-effectively is Cogent's number one goal. As the largest Ethernet provider in the country with approximately 26,000 customer connections, we provide mission-critical Point-to-Point services through our native Layer 2 transport network. Priced well below the competition, Cogent enables these businesses to do more for less:

- A stock exchange looks for large capacity pipes to transport mission critical trading information between New York and Chicago.
- A Colorado university connects to C-SPAN studios in Washington, DC to bring its students political experts live right into their classroom.
- A VoIP provider builds a nationwide network using Cogent's backbone to enable cost-effective and reliable VoIP service.
- A law firm sets up a secure WAN and a virtual client site that enable all lawyers to access data and work the same case.

Here's why so many customers choose Cogent:

Dedicated Capacity - A facilities-based, all-optical, ring-protected network backbone provides you with dedicated bandwidth all the time. Your Point-to-Point Layer 2 network will have ample capacity to meet your transport needs.

Simplicity - No tunneling or complex configuration work is needed on your end, you just pick your locations, sign up for service and then Cogent will deliver an Ethernet connection for your instant Layer 2 WAN. You won't find an easier experience with any other provider.

Reliability - If a fiber cut occurs, your data is re-routed around the network ring away from the cut, reaching you from the other direction and keeping you connected and in business.

Diversity - When you sign up with Cogent, you're automatically getting a second, independent line of communication that is completely autonomous from your phone service, safeguarding your business' communications.

**For Thousands of Businesses,
Cogent is Smart Business Internet**

Industry Leading Service Level Agreement (SLA)

Cogent offers one of the best SLAs in the industry, with full end-to-end coverage of your circuit.

Global Network Availability	100%
Installation guarantee	<17 days

The best on-time installation record in the industry averaging <12 days

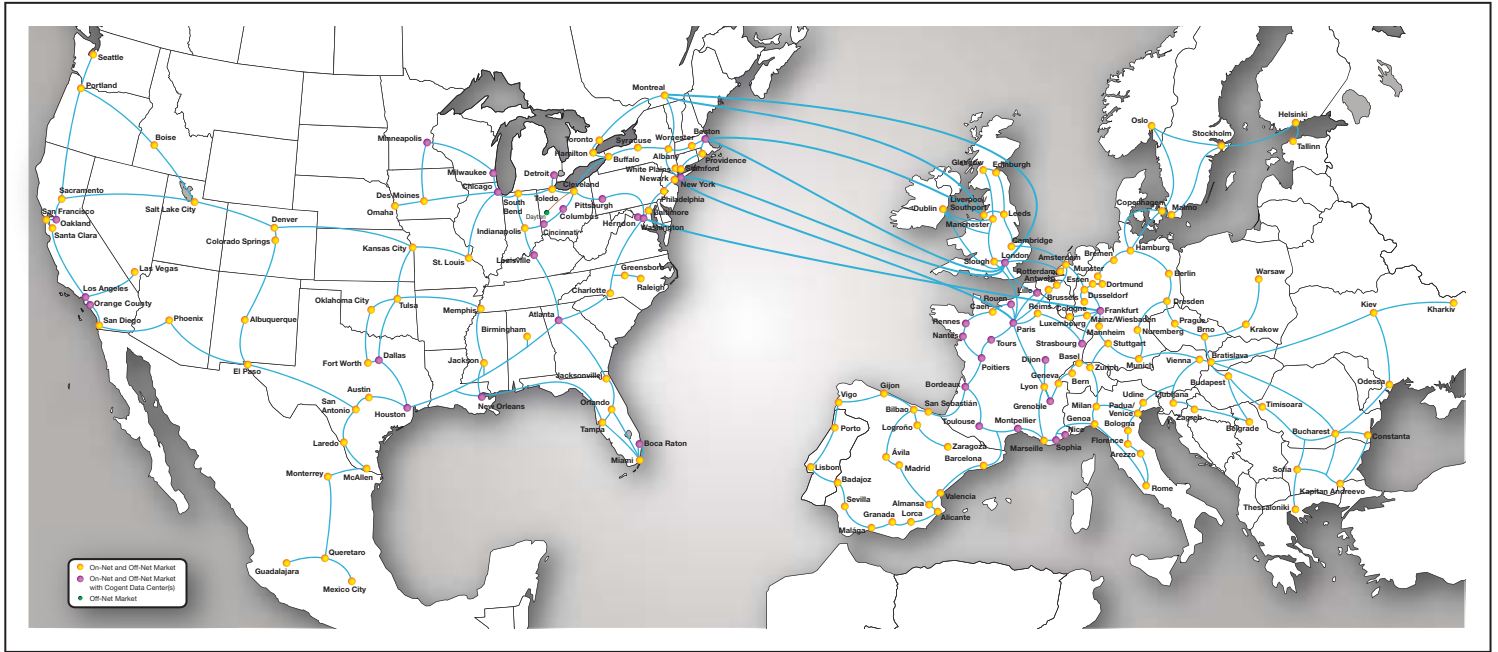
Interfaces:

FastE	100 Mbps
GigE	200-1,000 Mbps
10GigE	1,000-2,000 Mbps

Customer Support:

Available 24x7x365
Global NOCs in DC and Madrid.
Local Customer Support in Paris, Madrid, Frankfurt

Cogent's Tier-1 All-Optical IP Network



Cogent Communications All Optical IP Network

- Inter-City Fiber:** 53,300+ Route miles
- Metro Fiber:** 15,800+ Fiber miles
- Metro Rings:** 400+ Rings
- On-Net Buildings:** 1,615+ Locations
- Data Centers:** 43
- Data Center Space:** 380,000+ square feet
- Connects to 3,600+ Networks (Autonomous Systems)**
- Network Capacity:** up to 680 Gbps
- Transatlantic:** Transatlantic Capacity over 640 Gbps across multiple cables/routes.
- Cogent Rankings:**
 - 2nd Largest Peered Network in the World.
 - Fixed Orbit & CAIDA
 - Pilot House Award - Best Customer Service
 - Nemertes Research

Cogent is Smart Business Internet

As one of the world's top five Tier-1 ISPs*, Cogent delivers high quality dedicated Internet access over the largest capacity all-optical IP network in the world. Cogent offers customers Dedicated Internet access, Ethernet Point-to-Point Transport and Colocation services at prices that are guaranteed to be the lowest in the industry. Cogent's IP Network provides great reach with service to over 165 markets in 31 countries across North America and Europe, meeting all your connectivity needs.

Our unique and successful business model enables Cogent to operate as a commodity business, generating massive amounts of bandwidth at very low cost. Cogent maintains one of the strongest balance sheets in the industry, virtually debt-free and profitable from operations.

Cogent serves more than 26,000 business customer connections including both NetCentric and Corporate users that account for approximately 17% of the Internet's traffic. Cogent is the provider of choice for many of the most demanding customers including multimedia content providers, carriers and financial stock exchanges.

* as reported by independent third parties

Contact Us:

www.cogentco.com
info@cogentco.com

cogent
COMMUNICATIONS

Optical Internet